

# SCL

## Compact Conductor Line System



**STEMMANN PRODUCTS**

ENGLISCH

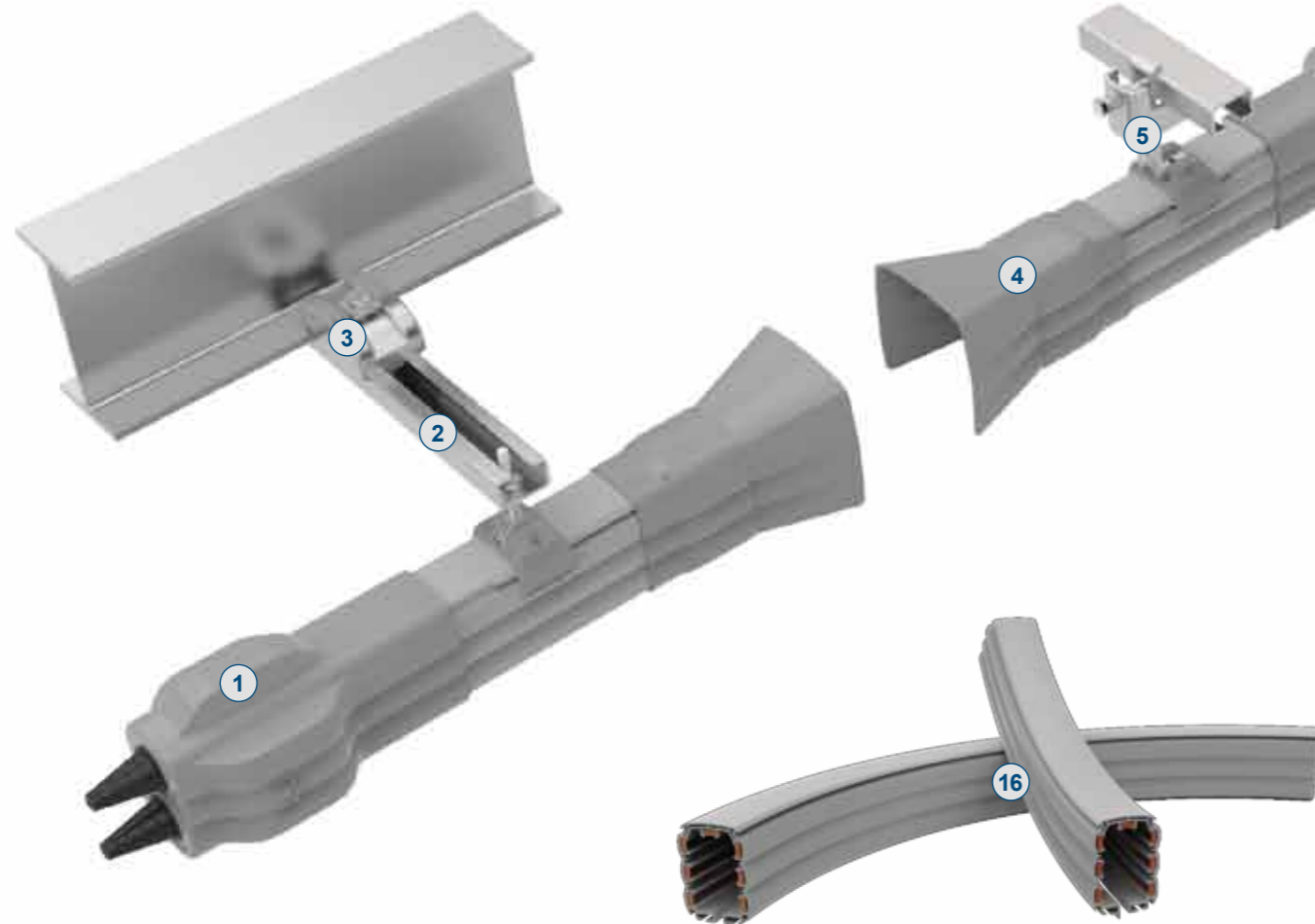
### The SCL System

Our compact conductor lines of the SCL series are made of impact resistant plastic and feature an innovative connection technology. The installation-friendly, preassembled system is characterized by a high stiffness at low weight and compact dimensions. It can expand and offers inspection possibilities at all joints. Additional expansions are only necessary in specific installation projects.

All straight sections can be easily replaced if necessary. The sliding contacts can be connected and fixed using a solid bolt embedded in the system - it does not require loose mounting components. Feedings are carried out variable within or at the end of the conductor line.

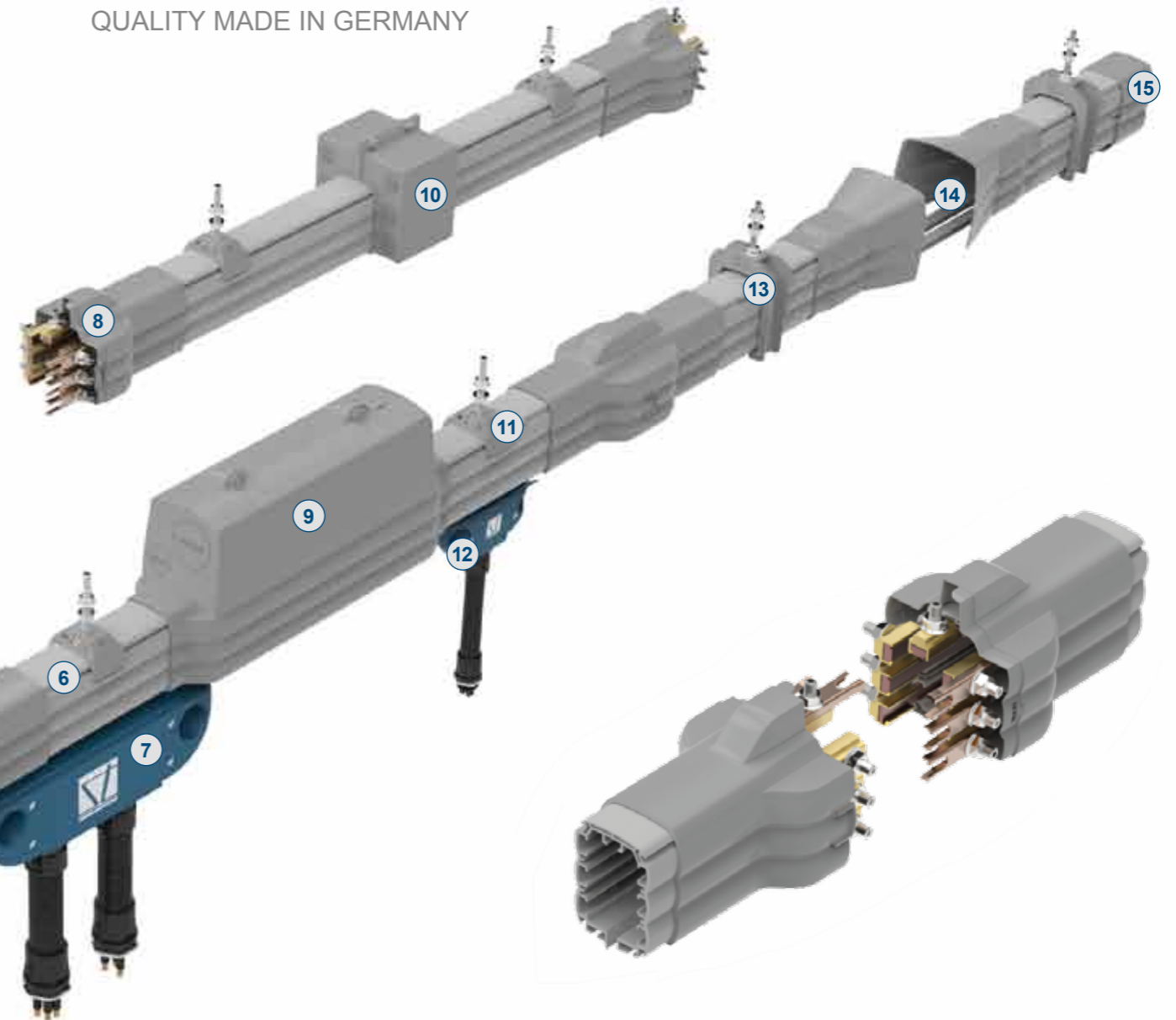
The main power line is integrated, safe from damages, within the current collector trolleys.

SYSTEM COMPONENTS	
①	End supply
②	C-rail traverse
③	I-beam clamp
④	Entry / transfer funnel
⑤	C-rail traverse suspension
⑥	Straight sections up to 4000 mm length
⑦	Current collecting trolley 100 A
⑧	Conductor bar connecting element
⑨	Centre supply
⑩	Centre supply for curve sections and narrow installation space
⑪	Sliding and fixed point suspension, standard
⑫	Current collecting trolley 20 A / 40 A
⑬	Sliding and fixed point suspension for areas with wide temperature fluctuations
⑭	Expansion
⑮	End / terminating cap
⑯	Curve profile, vertical / horizontal



## SCL

QUALITY MADE IN GERMANY



### TECHNICAL DATA FOR CONDUCTOR BAR

Housing material	PVC					
Standard length	4000 mm					
Number of conductors	max. 7					
Suspension distance	1000 mm / 2000 mm					
Voltage $U_N$	24 to 690 V AC					
Current capacity (100% ED at 35°C)	64 A	78 A	100 A	140 A	180 A	240 A
Conductor bar cross-section	10 mm <sup>2</sup>	15 mm <sup>2</sup>	25 mm <sup>2</sup>	38 mm <sup>2</sup>	56 mm <sup>2</sup>	70 mm <sup>2</sup>
Ambient / housing temperature	- 30 °C up to + 70 °C, special version up to + 80 °C					
Travel speed	depending on the application, up to 300 m/min					
Protection class (DIN VDE 0470 T.1/EN 60529)	IP23 / IP24 (with sealing lip)					
Smallest curve radius	≥ 800 mm horizontal / ≥ 1500 mm vertical					
Fire protection equipment	UL94 / V0 (not halogen free)					

## STEMMANN Conductor Line



SCL applications

The enclosed conductor system is designed for currents up to 240 A. Depending on the application it is equipped with up to 7 conductors.

Accidental contact with live components is almost impossible thanks to the narrow openings in the casing profile. Our SCL conductor lines are used without further safety measures in areas that are within easy reach.

Additional sealing lips provide effective protection against dirt and moisture.

We offer our SCL series in prefabricated 4-meter lengths. In addition to the conductor bar with collecting trolleys, mounting systems for wall or ceiling installation, power supply feeds, etc. a comprehensive range of accessories is available.

### APPLICATIONS

- Overhead and bridge cranes
- High bay storage, conveyor technology
- Monorail tracks
- Transport systems
- Data transmission systems
- Production lines, workshop equipment
- Stand-alone applications



Reliability under hard operating conditions

INDUSTRIAL PRODUCTS · INDUSTRIEPRODUKTE



CABLE FESTOON SYSTEMS  
LEITUNGSWAGEN-SYSTEME



CABLE REELS  
LEITUNGSTROMMELN



SLIP RING ASSEMBLIES  
SCHLEIFRINGÜBERTRAGER



CONDUCTOR LINES  
SCHLEIFLEITUNGEN

RAILWAY PRODUCTS · BAHNPRODUKTE



ROOF-MOUNTED PANTOGRAPHS  
DACHSTROMABNEHMER



THIRD RAIL SHOE GEARS  
DRITTE-SCHIENE-STROMABNEHMER



frost® GROUND CONTACTS  
frost® ERDUNGSKONTAKTE



STINGER SYSTEMS  
STINGER-SYSTEME



STEMMANN-TECHNIK GmbH  
Fandstan Electric Group

Niedersachsenstr. 2  
48465 Schüttorf · Germany  
PO-Box · Postfach : 1460  
Phone : +49 5923 81 - 0  
Fax : +49 5923 81 - 100  
sales@stemmann.de

